

# E5 Differential Assembly Instructions

**Please Note:** These instructions apply to the E5 differential version *only*.

## Step 1:

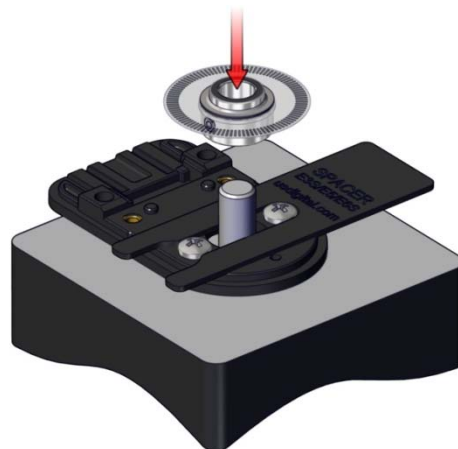
Secure base to mounting surface using two or three screws. Slip the centering tool over shaft and into center hole of base. Tighten mounting screws. Remove centering tool.

**Transfer Adhesive:** Peel off paper backing, place centering tool into center hole of base, slip centering tool onto shaft and slide base and centering tool down onto mounting surface as one piece. Press to form a good bond, then slip centering tool off shaft and continue with standard mounting instructions.



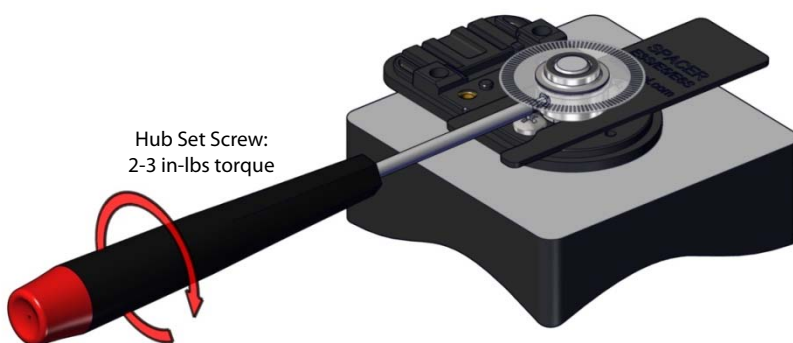
## Step 2:

Place spacer tool around shaft as shown. Slip hub disk assembly over shaft with codewheel disk towards top until it bottoms out against spacer tool.



## Step 3:

Tighten set screw with hex wrench provided while pressing down on hub.



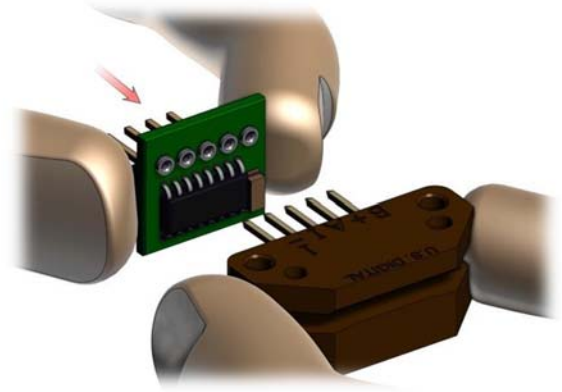
# E5 Differential Assembly Instructions

## Step 4:

Install line driver onto module.

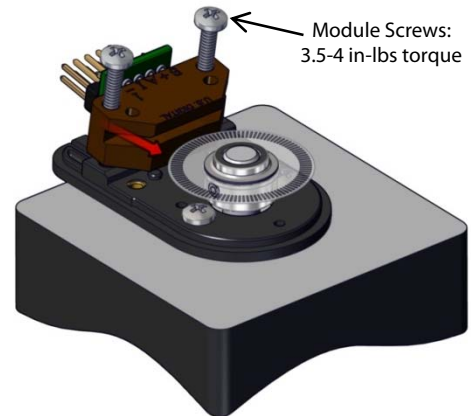
### Caution!

To avoid injury make sure that the line driver is held properly (as shown) during installation, module pins are sharp!



## Step 5:

Slip optical module assembly into position until the two alignment pins slip into holes of module (thick side of module towards bottom). Secure with 4-40 x 1/2" screws (supplied).



## Step 6:

Place housing (cover) over assembly and secure with two 4-40 x 5/8" cover screws (supplied).

