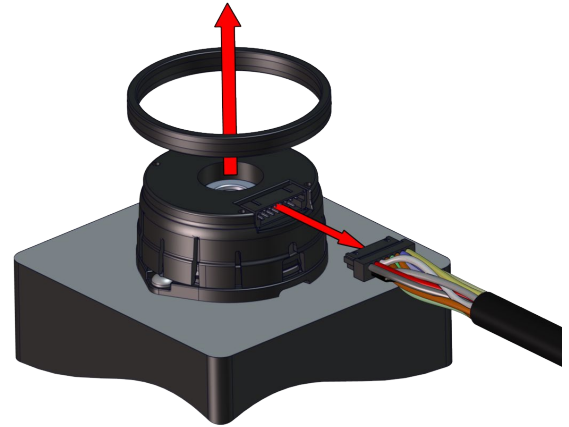


EC35 Removal Instructions

Please Note: The EC35 is designed for a one-time installation.

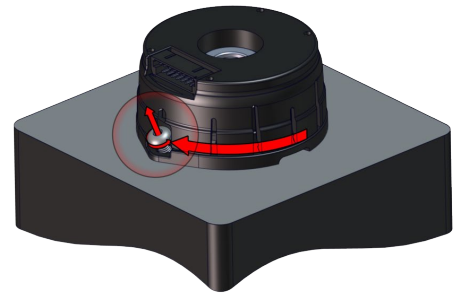
Step 1:

To remove the EC35: unplug the cable and remove the collet ring to free the rotation of the encoder module.



Step 2:

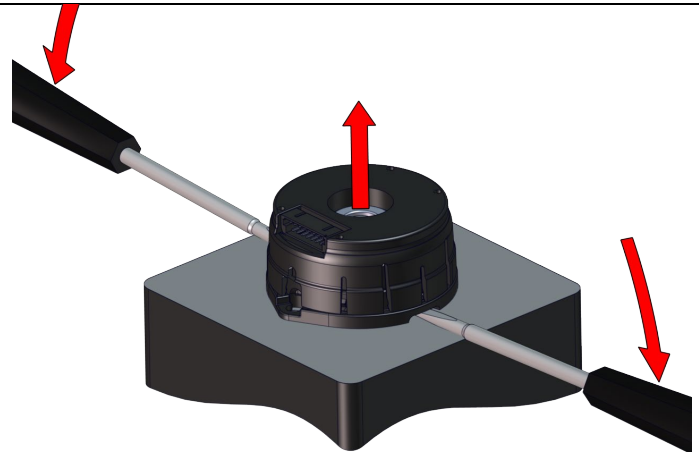
Rotate the encoder module until the screw access is aligned with one of the mounting screws. Remove the screw. Rotate the module to align the access with the remaining screw and remove.



Step 3:

Using two flat head screwdrivers apply pressure to the underside of each pry point, located 180° opposed at the bottom of the mounting plate, and remove the encoder from the motor.

*If remounting of the encoder is required continue to steps 4 and 5 for separation of the mounting plate from the encoder module.

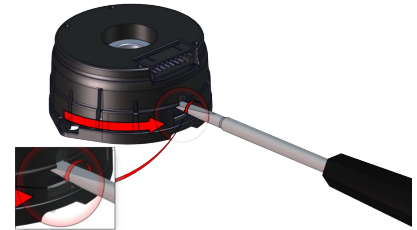


EC35 Removal Instructions

Please Note: The EC35 is designed for a one-time installation.

*Step 4:

Rotate the encoder module relative to the mounting plate and position the screw access above one pry point. Insert flat blade of screw driver between the mounting plate and module and turn 90° to pry the mounting plate and module apart.



*Step 5:

Pinch the sides of the encoder module and separate the mounting plate from the encoder module.

