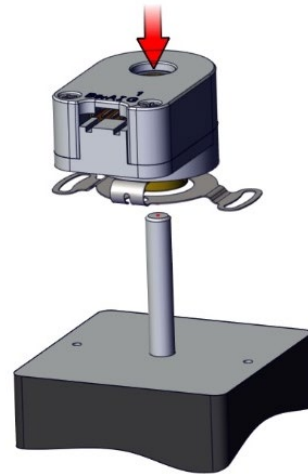


HB5M Assembly Instructions

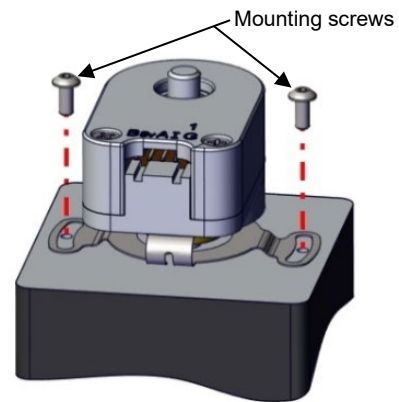
Step 1:

Slip the encoder down the motor shaft until the tether makes contact with the mounting surface.



Step 2:

Secure the tether with two mounting screws (not included). We recommend using #4 or M3 screws.



Step 3:

Lock the encoder in place by tightening the two hub set screws.

