

Description

The E5 Series rotary encoder has a rugged glass-filled polymer enclosure with either a 5-pin or 10-pin latching connector. This optical incremental encoder is designed to easily mount to and dismount from an existing motor shaft to provide digital feedback information.

The internal components consist of a mylar disk mounted to a precision machined aluminum hub and an encoder module. The module contains a highly collimated solid state light source and monolithic phased array sensor, which together provide a system extremely tolerant to mechanical misalignments.

The single-ended output version (S-option) is typically used with cables of 10 feet or less. For longer cable lengths, the differential output version (D-option) is recommended.

Attachment of the base to a surface may be accomplished by utilizing one of several machine screw bolt circle options. Positioning of the base to the centerline of a shaft is ensured by use of a centering tool (sold separately). The cover is securely attached to the base with two 4-40 flat head screws to provide a resilient package protecting the internal components.

A secure connection to the E5 Series encoder is made through a 5-pin (single-ended versions) or 10-pin (differential versions) latching connector. The mating connectors are available from US Digital with several cable options and lengths.

Avago Replacements:

US Digital's E5 encoder may now be used as a replacement for Avago HEDL-5500, HEDL-5600.

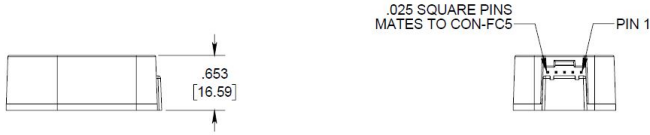


Features

- ▶ Quick, simple assembly and disassembly
- ▶ Rugged screw-together housing
- ▶ Positive latching connector
- ▶ Accepts .010" axial shaft play
- ▶ 32 to 5000 cycles per revolution (CPR)
- ▶ 128 to 20000 pulses per revolution (PPR)
- ▶ 2 channel quadrature TTL squarewave outputs
- ▶ Optional index (3rd channel)
- ▶ Mounting compatibility with HEDS-5500

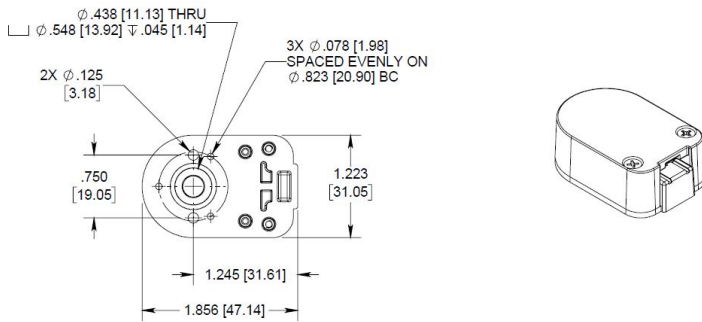
Single-Ended

E5 Optical Kit Encoder



RELEASE DATE: 7/11/2017

DEFAULT BASE & COVER OPTIONS SHOWN



1400 NE 136th Avenue
Vancouver, Washington 98684, USA

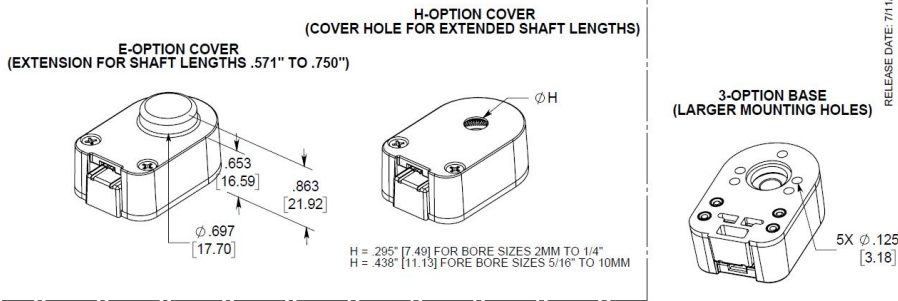
info@usdigital.com
www.usdigital.com

Local: 360.260.2468
Toll-free: 800.736.0194

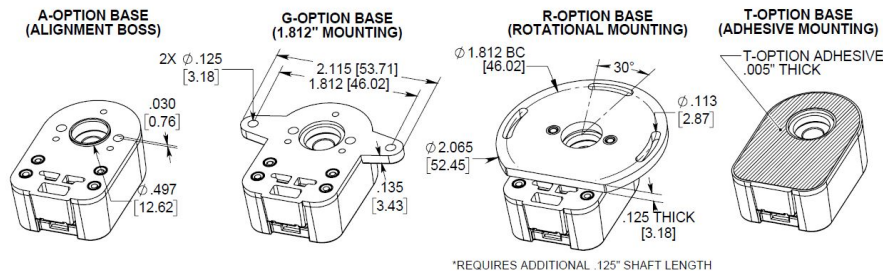
UNITS: INCHES (MM)
METRIC SHOWN FOR REFERENCE ONLY

Base & Cover Options

E5 Optical Kit Encoder Base & Cover Options



RELEASE DATE: 7/11/2017



*REQUIRES ADDITIONAL .125" SHAFT LENGTH



1400 NE 136th Avenue
Vancouver, Washington 98684, USA

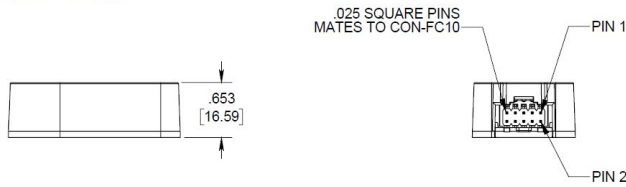
info@usdigital.com
www.usdigital.com

Local: 360.260.2468
Toll-free: 800.736.0194

UNITS: INCHES (MM)
METRIC SHOWN FOR REFERENCE ONLY

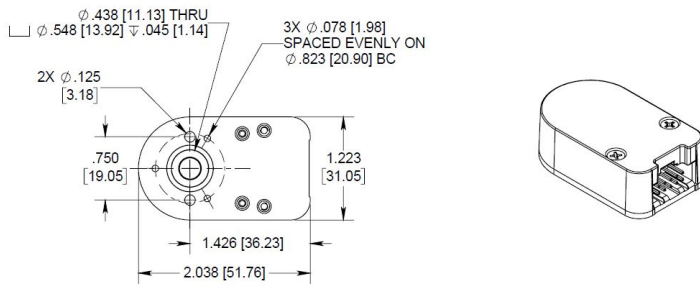
Differential

E5 Differential Optical Kit Encoder



RELEASE DATE: 7/11/2017

DEFAULT BASE & COVER OPTIONS SHOWN



1400 NE 136th Avenue
Vancouver, Washington 98684, USA

info@usdigital.com
www.usdigital.com

Local: 360.260.2468
Toll-free: 800.736.0194

UNITS: INCHES [MM]
METRIC SHOWN FOR REFERENCE ONLY

Environmental

Parameter	Value	Units
Operating Temperature, CPR < 2000	-40 to 100	C
Operating Temperature, CPR ≥ 2000	-25 to 100	C
Vibration (5Hz to 2kHz)	20	G
Electrostatic Discharge		
Single-ended (-S version), IEC 61000-4-2	± 4	kV
Differential (-D, -L version), Human Body Model	± 2	

Mechanical

Parameter	Value	Units
Max. Shaft Axial Play	±0.010	in.
Max. Shaft Eccentricity Plus Radial Play (1)	0.004	in.
Max. Acceleration	250000	rad/sec ²

Parameter	Value	Units
For CPR < 2000 Max. RPM (2) (300 kHz) e.x. CPR=1250, max. rpm=14400 e.x. CPR=100, max. rpm=60000	minimum value of ((18 x 10 ⁶) / CPR) and (60000)	rpm
For CPR >= 2000 and < 4000 Max. RPM (2) (360 kHz)	minimum rpm value of ((21.6 x 10 ⁶) / CPR) and (60000)	
For CPR >= 4000 Max. RPM (2) (720 kHz)	minimum rpm value of ((43.2 x 10 ⁶) / CPR) and (60000)	
Typical Product Weight Single-ended (S-option) Differential (D-option, L-option)	0.82 0.91	oz.
Codewheel Moment of Inertia	8.0 x 10 ⁻⁶	oz-in-s ²
Hub Set Screw	#4-48	
Hex Wrench Size	0.050	in.
Encoder Base Plate Thickness	0.135	in.
3 Mounting Screw Size	#0-80	
2 Mounting Screw Size	#2-56 or #4-40	

Parameter	Value	Units
3 Screw Bolt Circle Diameter	0.823 ± 0.005	in.
2 Screw Bolt Circle Diameter	0.750 ± 0.005	in.
Required Shaft Length (3)	0.445 to 0.570	in.
With E-option (3)	0.445 to 0.750	
With H-option (3)	> 0.445	
Index Alignment to Hub Set Screw	180 Typical	mechanical degrees
Technical Bulletin TB1001 - Shaft and Bore Tolerances		Download

(1) Position inaccuracy is proportional to shaft radial play.

(2) 60000 rpm is the maximum rpm due to mechanical considerations. The maximum RPM due to the module's maximum frequency response is dependent upon the module's resolution (CPR). For resolutions of 32 to 1999 CPR the frequency response is 300 kHz, 2000 to 3999 CPR the frequency response is 360 kHz and 4000 CPR and greater the frequency response is 720 kHz.

(3) Add 0.125" to the required shaft length when using **R**-option.

Torque Specifications

Parameter	Torque
Hub Set Screw to Shaft	2-3 in-lbs
Cover (4-40 screws through cover into base)	2-4 in-lbs
Base to Mounting Surface	4-6 in-lbs
Base to Mounting Adapter Plate	4-6 in-lbs
Adapter Plate to Mounting Surface	4-6 in-lbs
Module to Base	3.5-4 in-lbs

Phase Relationship

Single-Ended (S) / Differential (D) Option:

A leads B for clockwise shaft rotation, and B leads A for counterclockwise rotation as viewed from the cover side of the encoder.

Broadcom/Avago compatible pin-out (L) Option:

B leads A for clockwise shaft rotation, and A leads B for counterclockwise rotation as viewed from the cover side of the encoder.

Single-ended Electrical

- Specifications apply over entire operating temperature range.
- Typical values are specified at $V_{cc} = 5.0V_{dc}$ and $25^{\circ}C$.
- For complete details, see the EM1 or EM2 product pages.

Parameter	Min.	Typ.	Max.	Units	Conditions
Supply Voltage	4.5	5.0	5.5	V	
Supply Current		27	33	mA	CPR < 500, no load
		54	62	mA	CPR ≥ 500 and <2000, no load
		72	85	mA	CPR ≥ 2000, no load
Low-level Output			0.5	V	IOL = 8mA max., CPR < 2000
			0.5	V	IOL = 5mA max., CPR ≥ 2000
		0.25		V	no load, CPR ≥ 2000
High-level Output	2.0			V	IOH = -8mA max. and CPR < 2000
	2.0			V	IOH = -5mA max. and CPR ≥ 2000
		4.8		V	no load and CPR < 2000
		3.5		V	no load and CPR ≥ 2000
Output Current Per Channel	-8		8	mA	CPR < 2000
	-5		5	mA	CPR ≥ 2000
Output Rise Time		110		nS	CPR < 2000
		50		nS	CPR ≥ 2000, ± 5mA load
Output Fall Time		100		nS	CPR < 2000
		50		nS	CPR ≥ 2000, ± 5mA load

Differential Electrical

- Specifications apply over entire operating temperature range.
- Typical values are specified at Vcc = 5.0Vdc and 25 ° C.
- For complete details, see the EM1 or EM2 product pages.

Parameter	Min.	Typ.	Max.	Units	Conditions
Supply Voltage	4.5	5.0	5.5	V	
Supply Current		29	36	mA	CPR < 500, no load
		56	65	mA	CPR ≥ 500 and < 2000, no load
		74	88	mA	CPR ≥ 2000, no load
Low-level Output		0.2	0.4	V	IOL = 20mA max.
High-level Output	2.4	3.4		V	IOH = -20mA max.
Differential Output Rise/Fall Time			15	nS	

Pin-outs

5-pin Single-Ended (1)		10-pin Differential, Standard (2)		10-pin Differential, L-option (2,3)	
Pin	Description	Pin	Description	Pin	Description
1	Ground	1	Ground	1	No Connection
2	Index	2	Ground	2	+5VDC power
3	A channel	3	Index-	3	Ground
4	+5VDC power	4	Index+	4	No connection
5	B channel	5	A- channel	5	A- channel
		6	A+ channel	6	A+ channel
		7	+5VDC power	7	B- channel
		8	+5VDC power	8	B+ channel
		9	B- channel	9	Index-
		10	B+ channel	10	Index+

(1) 5-pin single ended mating connector is CON-FC5.

(2) 10-pin differential mating connector is CON-FC10.

(3) Broadcom / Avago compatible version.

Accessories

1. Centering Tool

Part #: CTOOL - (Shaft Diameter)

Description: This reusable tool provides a simple method for accurately centering the **E5** base onto the shaft. It is recommended for the following situations:

- When using mounting screws smaller than #4-40.
- When the position of the mounting holes is in question.
- When using the 3-hole mounting pattern.
- When using the **T** - option transfer adhesive.

Instructions: When mounting encoder base, slide centering tool down shaft until it slips into centering hole of encoder base. Tighten mounting screws, then remove centering tool.

2. Hex Tool

Depending on the order packaging option, either a hex driver or hex wrench is included.

Part #: HEXD-050

Description: Hex driver, 0.050" flat-to-flat for #3-48 or #4-48 set screws. Only included with **-B** or **-1** packaging options.

Part #: HEXW-050

Description: Hex wrench, .050" flat-to-flat for #3-48 or #4-48 set screws. Only included with **-2** or **-3** packaging options.

3. Spacer Tool

A spacer tool is included for all packaging options.

Part #: SPACER-E5

4. Screws

Screws for base mounting must be purchased separately. Screws for mounting the housing to the base are included.

Part #: SCREW-080-250-PH

Description: Pan Head, Philips #0-80 UNF x 1/4"

Quantity Required for Mounting: 3 per encoder

Part #: SCREW-256-250-PH

Description: Pan Head, Philips #2-56 UNC x 1/4"

Quantity Required for Mounting: 2 per encoder

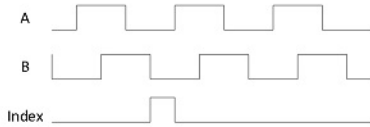
Part #: SCREW-440-250-PH

Description: Pan Head, Philips #4-40 UNC x 1/4"

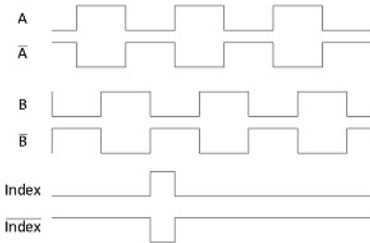
Quantity Required for Mounting: 2 per encoder

 **Output Waveforms**

SINGLE-ENDED



DIFFERENTIAL



 **Assembly Instructions**

E5 Assembly Instructions - <http://usdigital.com/assets/assembly/E5%20Assembly%20Instructions.pdf>

 **Ordering Information**

E5 - - - - - - -

CPR	Bore	Index	Output	Cover	Base	Packaging
32 =	079 =	NE =No	S =Single-ended	D =Default	D =Default	B =Encoder components packaged in bulk. One spacer tool, hex tool, and centering tool per 100 encoders.
50 =	2mm	Index	D =Differential	E =Cover	3 =Base	
96 =	118 =	IE =	L =Avago/Agilent	Extension	Mounting Holes	
100 =	3mm	Index	compatible pin-out	H =Hole in	become .125"	
192 =	125 =			Cover	A =Adds self-aligning shoulder to base	1 =Encoders Individually packaged. One spacer tool, hex tool, and centering tool per 100 encoders.
200 =	1/8"					
250 =	156 =				G =Adds 1.812 mounting "ears" to base	
256 =	5/32"					
360 =	157 =				R =Adds 3-slot adapter to bottom of base	3 =Encoders packaged individually with one spacer tool, one hex wrench, and one centering tool per encoder.
400 =	4mm					
400 =	188 =					
500 =	3/16"					
512 =	197 =					
540 =	5mm				T =Transfer	
720 =	236 =				Adhesive	
900 =	6mm					
1000 =	250 =					
1024 =	1/4"					
1250 =	276 =					
2000 =	7mm					
2048 =	313 =					
2500 =	5/16"					
4000 =	315 =					
4096 =	8mm					
5000 =	375 =					
	3/8"					
	394 =					
	10mm					

Notes

- Cables and connectors are not included and must be ordered separately.
- US Digital® warrants its products against defects in materials and workmanship for two years. See complete warranty for details.