

Description

The **EM2** is a transmissive optical encoder module designed to offer 2x or 4x higher resolution than the **EM1** encoder module. This module is designed to detect rotary position when used with a US Digital $\frac{1}{2}$ encoder disk. The **EM2** consists of a lensed LED source and a monolithic detector IC enclosed in a small polymer package that is identical to the **EM1**. The **EM2** uses phased array detector technology to provide superior performance and greater tolerances over traditional aperture mask type encoders.

The **EM2** provides digital A & B quadrature outputs with a third output index channel. Each **EM2** module is resolution specific and is matched to the resolution of an encoder disk. The **EM2** operates with a single 5V supply and provides single ended outputs which are capable of both sinking and sourcing 5mA. An internal 0.1 uF decoupling capacitor is designed into the **EM2** to provide enhanced noise immunity.

For open collector and higher voltage applications, add the PC3 cable driver, or for differential cable driver outputs, add the PC4 cable driver. Encoder disks, quadrature decoder chips, counter chips, computer interface boards, mating connectors and cables are also available.

Download the EM2/EM1 comparison chart.

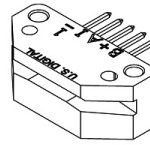


Features

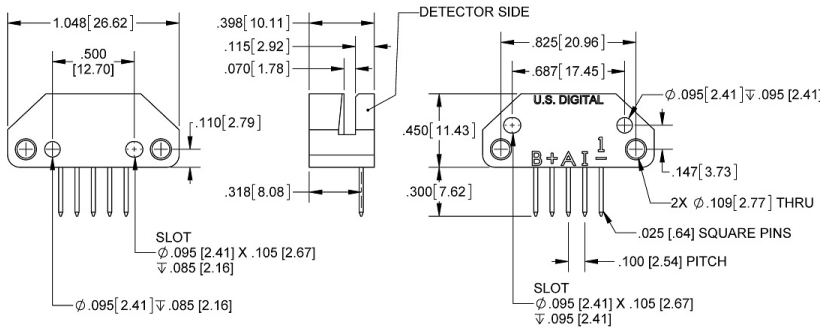
- ▶ Two channel quadrature with index
- ▶ High resolution version of EM1
- ▶ Single 5V supply
- ▶ Rotary versions up to 10000 CPR
- ▶ Linear versions up to 2000 CPI
- ▶ Internal decoupling capacitor
- ▶ Outputs source/sink 5 mA

Mechanical Drawing

EM2 Transmissive Optical Encoder Module



RELEASE DATE: 10/17/2013



US DIGITAL 1400 NE 136th Avenue
 Vancouver, Washington 98684, USA

info@usdigital.com
 www.usdigital.com

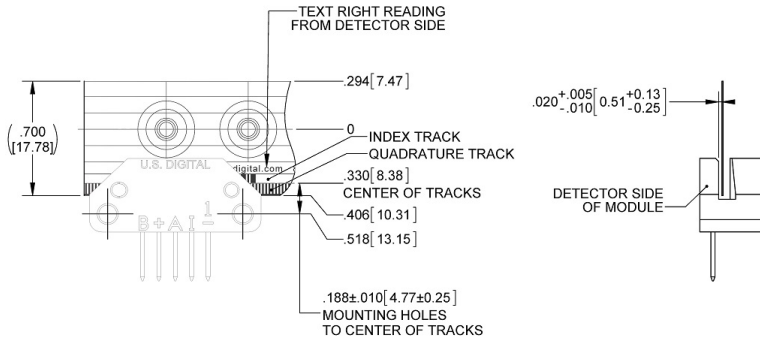
Local: 360.260.2468
 Toll-free: 800.736.0194

UNITS: INCHES (MM)
 METRIC SHOWN FOR REFERENCE ONLY

Linear Alignment

EM2 Transmissive Optical Encoder Module
 Linear Strip Alignment

RELEASE DATE: 04/07/2015



US DIGITAL 1400 NE 136th Avenue
 Vancouver, Washington 98684, USA

info@usdigital.com
 www.usdigital.com

Local: 360.260.2468
 Toll-free: 800.736.0194

UNITS: INCHES (MM)
 METRIC SHOWN FOR REFERENCE ONLY

 **EM2 Disk Alignment**

 **Available Resolutions**

CPR/CPI	EM2	HUBDISK-1	HUBDISK-2	LIN
1000	EM2-0-1000-*	-	-	LIN-1000-**-*
2000	EM2-1-2000-I (1") / EM2-0-2000- * (LIN)	HUBDISK-1-2000-**-IE	-	LIN-2000-**-*
2048	EM2-1-2048-I	HUBDISK-1-2048-**-IE	-	-
2500	EM2-1-2500-I	HUBDISK-1-2500-**-IE	-	-
3600	EM2-2-3600-I	-	HUBDISK-2-3600-**-IE	-
4000	EM2-1-4000-I (1") / EM2-2-4000-I (2")	HUBDISK-1-4000-**-IE	HUBDISK-2-4000-**-IE	-
4096	EM2-1-4096-I (1") / EM2-2-4096-I (2")	HUBDISK-1-4096-**-IE	HUBDISK-2-4096-**-IE	-
5000	EM2-1-5000-I (1") / EM2-2-5000-I (2")	HUBDISK-1-5000-**-IE	HUBDISK-2-5000-**-IE	-

CPR/CPI	EM2	HUBDISK-1	HUBDISK-2	LIN
7200	EM2-2-7200-I	-	HUBDISK-2-7200-*-IE	-
8000	EM2-2-8000-I	-	HUBDISK-2-8000-*-IE	-
8192	EM2-2-8192-I	-	HUBDISK-2-8192-*-IE	-
10000	EM2-2-10000-I	-	HUBDISK-2-10000-*-IE	-

Operating Conditions

Parameter	Min.	Max.	Units	Notes
Temperature	-25	100	C	
A/B Output Frequency	0	360	kHz	2000, 2048, 2500 CPR (1") 3600, 4000, 4096, 5000 CPR (2") 1000 CPI (Linear)
	0	720	kHz	4000, 4096, 5000 CPR (1") 7200, 8000, 8192, 10000 CPR (2") 2000 CPI (Linear)
Disk RPM	0	(21.6 x 10 ⁶) / CPR	RPM	2000, 2048, 2500 CPR (1") 3600, 4000, 4096, 5000 CPR (2")
	0	(43.2 x 10 ⁶) / CPR	RPM	4000, 4096, 5000 CPR (1") 7200, 8000, 8192, 10000 CPR (2")
Linear Strip Speed	0	360	in./sec.	1000, 2000 CPI (Linear)
Disk/Linear Strip Radial Position Tolerance	± .005		inch	with gap set by standard spacer tool

Electrical Specifications

- Specifications apply over entire operating temperature/voltage range.
- Typical values are specified at Vcc = 5.0V and 25C.

Parameter	Min.	Typ.	Max.	Units	Conditions
Supply Voltage	4.5	5.0	5.5	V	Ripple < 100 mVpp
Supply Current		72	85	mA	no load
Low-level Output			0.5	V	IOL = 5 mA
		0.25		V	no load
High-level Output	2.0			V	IOH = -5 mA
		3.5		V	no load

Parameter	Min.	Typ.	Max.	Units	Conditions
Output Current Per Channel	-5		5	mA	
Load Capacitance			100	pF	
Output Rise Time		50		nS	± 5 mA load
Output Fall Time		50		nS	± 5 mA load
Electrostatic Discharge			± 4	kV	IEC 61000-4-2

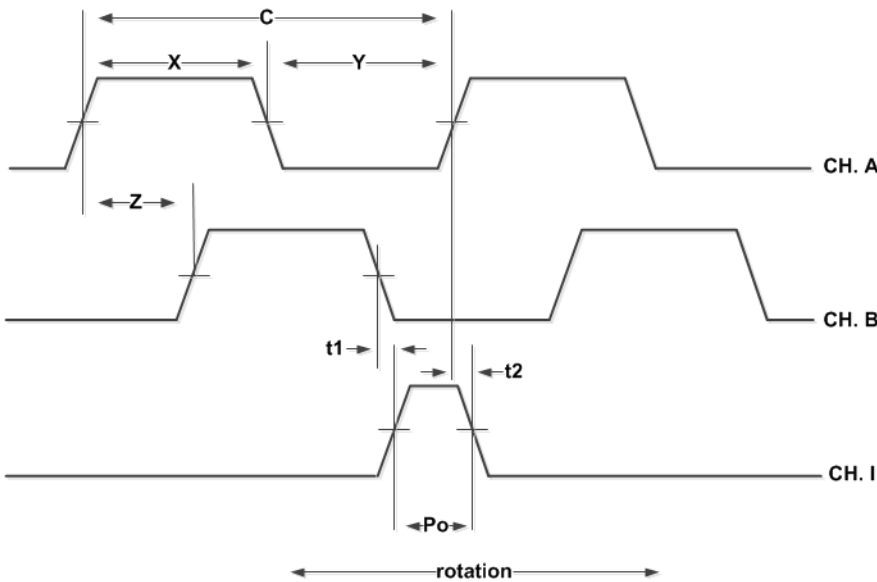
Timing Characteristics

Encoding Characteristics:

- Specifications apply over entire operating temperature/voltage range.
- Values are for the worst error over full rotation.
- Refer to timing diagram below.

Parameter	Symbol	Min.	Typ.	Max.	Units
Symmetry	X, Y	108	190	252	° e
Quadrature	Z	45	90	135	° e
Index Pulse Width	Po	45	90	135	° e
Ch. I Rise After Ch. B or Ch. A Fall	t1		-40		ns
Ch. I Fall After Ch. B or Ch. A Rise	t2		25		ns

Timing Diagram:



CPR: The number of Cycles (C) of the A or B outputs Per Revolution.

One Shaft Rotation: 360 mechanical degrees.

One Electrical Degree (° e): 1/360th of one cycle.

One Cycle: 360 electrical degrees (° e). Each cycle can be decoded into 1 or 4 states, referred to as X1 or X4 resolution multiplication.

Symmetry: A measure of the relationship between (X) and (Y) in electrical degrees, nominally 180 ° e.

Quadrature (Z): The phase lag or lead between channels A and B in electrical degrees, nominally 90 ° e.

Index (I): The index output goes high once per revolution, coincident with the low states of channels A and B, nominally 1/4 of one cycle (90 ° e).

Position Error: The difference between the actual shaft position and the position indicated by the encoder cycle count.

Installation Torque

Parameter	Torque
Mounting Screws	3.5-4 in-lbs

Pin-outs

Pin	Description
1	Ground
2	Index
3	A channel
4	+5VDC power
5	B channel

Ordering Information

EM2 - - -

Native OD	Native CPI/CPR	Index
0Linear	1000 =	I = <i>Index</i>
1 = 1in	2000 =	N = <i>No Index</i>
2 = 2in	2048 =	
	2500 =	
	3600 =	
	4000 =	
	4096 =	
	5000 =	
	7200 =	
	8000 =	
	8192 =	
	10000 =	

Notes

- US Digital® warrants its products against defects in materials and workmanship for two years. See complete warranty for details.