



HB6M Features

- Hollow bore (hollow shaft/thru-bore) bearing design
- Rugged anodized aluminum housing
- Industrial duty 6,805 series bearings
- Heavy-duty ball bearings track up to 6,000 RPM
- Positive latching polarized connector
- 2-channel quadrature, TTL squarewave outputs
- 3rd channel index option
- Differential line driver output option
- 64 to 10,000 cycles per revolution (CPR); 256 to 40,000 pulses per revolution (PPR)



HB6M Product Description

The HB6M is a high-resolution hollow bore (hollow shaft/thru-bore) optical encoder with a machined aluminum enclosure and an anodized protective finish. The HB6M optical incremental encoder is designed to easily mount to an existing shaft to provide digital feedback information. Typical applications include motor feedback, process control, robotics, textile machines, and elevator controls.

The HB6M bearing style encoder features a hollow bore that accepts shaft diameters from 0.236 in. to 0.750 in. in diameter. The encoder slips over the shaft and is locked into place with two 6-32 set screws. A flexible anti-rotation mount makes the encoder more tolerant of shaft runout than a standard kit encoder. The HB6M can accommodate shaft runout up to 0.030 in. axial and 0.010 in. radial. The flexible tether provides single-point mounting for bolt circle diameters from 2.5 in. to 5.0 in.

The HB6M housing comes standard with a closed cover or an optional hole in the body to allow a shaft to pass completely through the encoder.

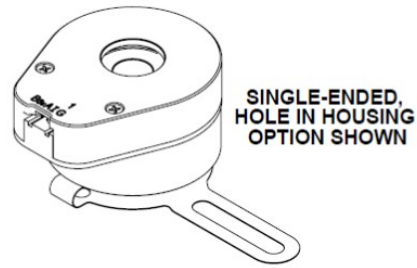
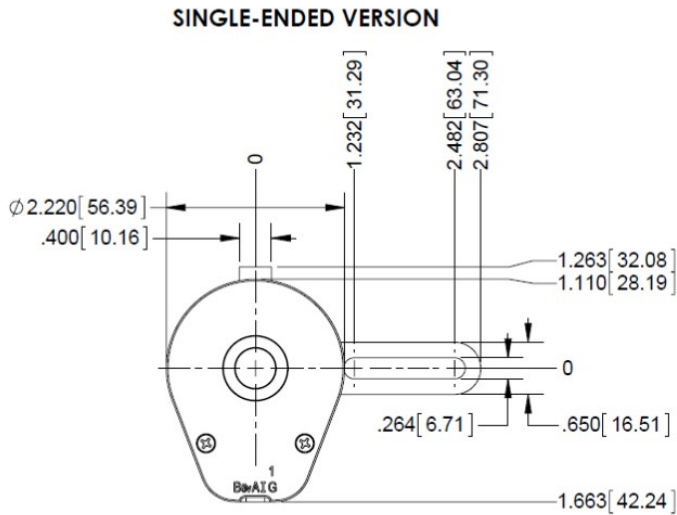
The differential version has an internal differential line driver (26C31) that can source and sink 20mA at TTL levels. The cable that connects to this encoder should have 3 twisted pairs for the data channels plus power and ground. The recommended receiver is the industry-standard 26C32.

The mating connector is polarized and latches into the encoder. Depressing the latch tab allows the connector to be unplugged. Mating connector assemblies are available from US Digital. Custom cables are also readily available (see the Cables (<https://www.usdigital.com/products/accessories/cables>) page).

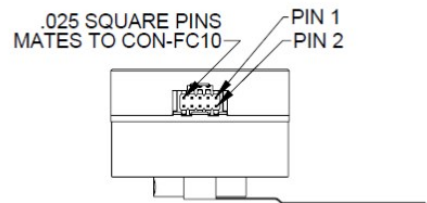
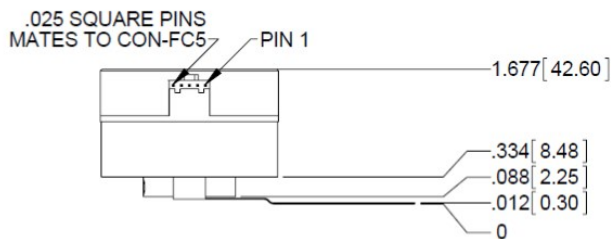
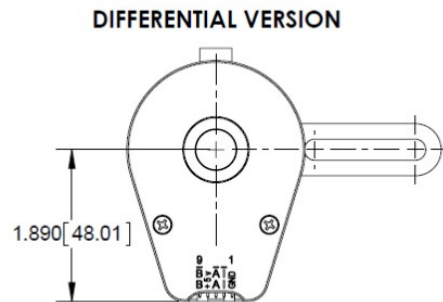


Mechanical Drawings

HB6M Hollow Bore Optical Encoder Drawing



RELEASE DATE: 01/13/2016



US DIGITAL 1400 NE 136th Avenue
Vancouver, Washington 98684, USA

info@usdigital.com
www.usdigital.com

Local: 360.260.2468
Toll-free: 800.736.0194

UNITS: INCHES [MM]
METRIC SHOWN FOR REFERENCE ONLY

Specifications

ENVIRONMENTAL

PARAMETER	VALUE	UNITS
Operating Temperature (CPR < 3600)	-40 to 100	C
Operating Temperature (CPR ≥ 3600)	-25 to 100	C
Vibration (5Hz to 2kHz)	20	G
Shock, 11 mSec	50	G
Electrostatic Discharge		
Single-ended (-S version), IEC 61000-4-2	± 4	
Differential (-D version), Human Body Model	± 2	



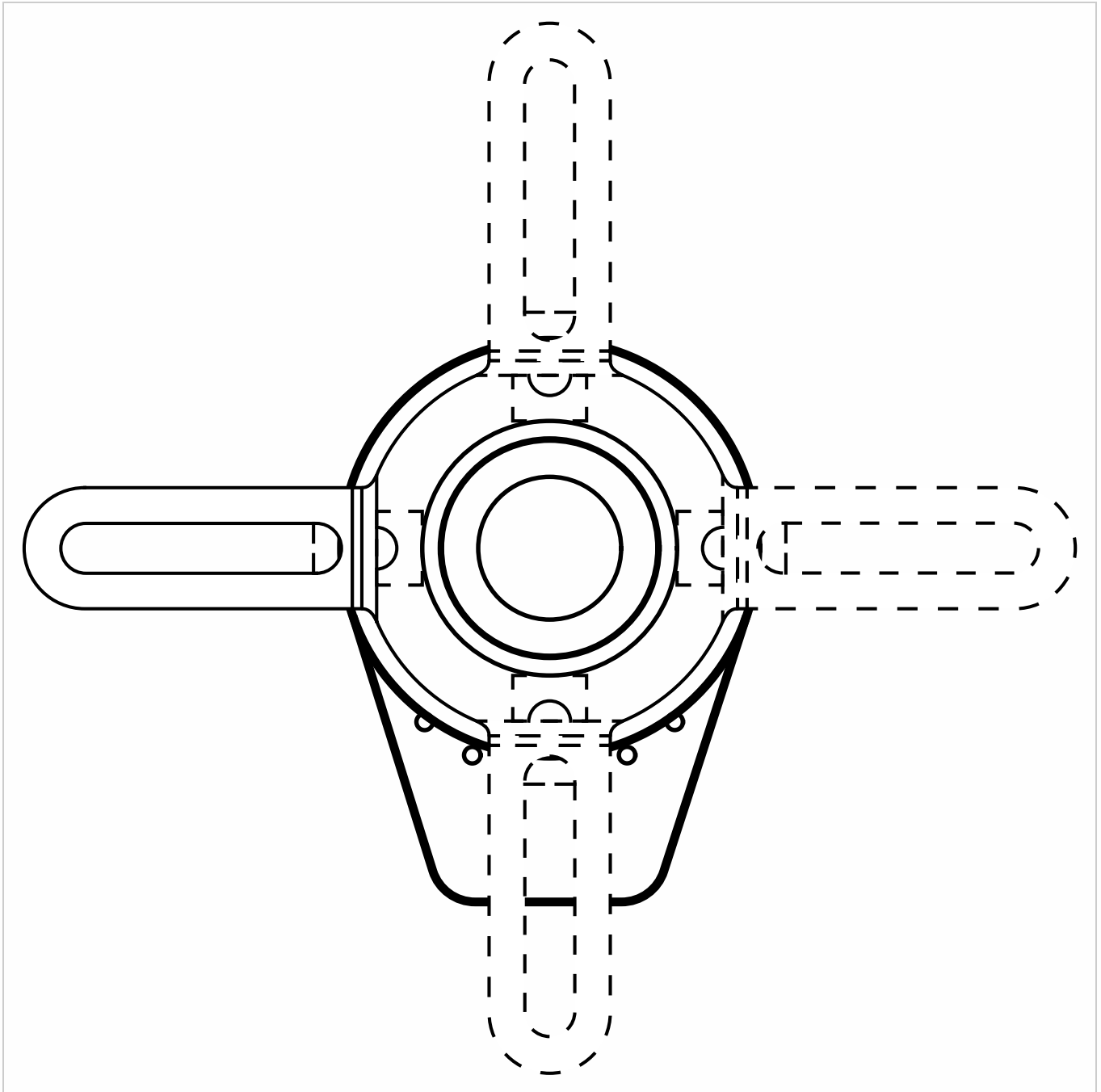
MECHANICAL

PARAMETER	DIMENSION
Max. Acceleration	100000 rad/sec ²
Max. Shaft Speed	6000 rpm
Max. Starting Torque	0.70 oz-in
Max. Bore Loading	5 lb.
Weight	11.5 oz.
Max. Shaft Runout	0.010 in. T.I.R.
Max. Shaft Axial Play	± 0.030 in.
Required Shaft Length (From mounting surface)	Min. = 0.3 in. Max. = 1.4 in. with default cover. Max. = No limit with H-option cover.
Moment of Inertia	3.7x10 ⁻³ oz-in-sec ²
Technical Bulletin TB1001 - Shaft and Bore Tolerances	Download (https://www.usdigital.com/support/resources/reference/technical-docs/technical-bulletins/shaft-and-bore-tolerances-tb1001/)



TETHER MOUNTING

The tether is shipped detached and may be mounted in the four different methods as shown below.



PHASE RELATIONSHIP

A leads B in a clockwise shaft rotation, and B leads A in counterclockwise shaft rotation viewed from the rear side (opposite flexible mount) of the encoder.



SINGLE-ENDED ELECTRICAL

- Specifications apply over the entire operating temperature range.
- Typical values are specified at $V_{CC} = 5.0V_{DC}$ and $25^{\circ}C$.
- For complete details, see the EM1 (<https://www.usdigital.com/products/encoders/incremental/modules/em1/>) and EM2 (<https://www.usdigital.com/products/encoders/incremental/modules/em2/>) product pages.

PARAMETER	MIN.	TYP.	MAX.	UNITS	CONDITIONS
Supply Voltage	4.5	5.0	5.5	V	
Supply Current		27	33	mA	CPR < 1000, no load
		54	62	mA	CPR \geq 1000 and < 3600, no load
		72	85	mA	CPR \geq 3600, no load
Low-level Output			0.5	V	$I_{OL} = 8mA$ max., CPR < 3600
			0.5	V	$I_{OL} = 5mA$ max., CPR \geq 3600
		0.05		V	no load, CPR < 3600
		0.25		V	no load, CPR \geq 3600
High-level Output	2.0			V	$I_{OH} = -8mA$ max., CPR < 3600
	2.0			V	$I_{OH} = -5mA$ max., CPR \geq 3600
		4.8		V	no load, CPR < 3600
		3.5		V	no load, CPR \geq 3600
Output Current Per Channel	-8		8	mA	CPR < 3600
	-5		5	mA	CPR \geq 3600
Output Rise Time		110		nS	CPR < 3600
		50		nS	CPR \geq 3600
Output Fall Time		35		nS	CPR < 3600
		50		nS	CPR \geq 3600



DIFFERENTIAL ELECTRICAL

- Specifications apply over the entire operating temperature range.
- Typical values are specified at $V_{CC} = 5.0V_{DC}$ and $25^{\circ}C$.
- For complete details, see the EM1 (<https://www.usdigital.com/products/encoders/incremental/modules/em1/>) and EM2 (<https://www.usdigital.com/products/encoders/incremental/modules/em2/>) product pages.

PARAMETER	MIN.	TYP.	MAX.	UNITS	CONDITIONS
Supply Voltage	4.5	5.0	5.5	V	
Supply Current		29	36	mA	CPR < 1000, no load
		56	65	mA	CPR \geq 1000 and < 3600, no load
		74	88	mA	CPR \geq 3600, no load
Low-level Output		0.2	0.4	V	$I_{OL} = 20mA$ max.
High-level Output	2.4	3.4		V	$I_{OH} = -20mA$ max.
Differential Output Rise/Fall Time			15	nS	



PIN-OUTS

5-PIN SINGLE-ENDED

PIN	DESCRIPTION
1	Ground
2	Index
3	A channel
4	+5VDC power
5	B channel

10-PIN DIFFERENTIAL:

PIN	DESCRIPTION
1	Ground
2	Ground
3	Index-
4	Index+
5	A- channel
6	A+ channel
7	+5VDC power
8	+5VDC power
9	B- channel
10	B+ channel



PRODUCT CHANGE NOTIFICATIONS

Title	Date	Description	Download
EM1 LED Die - PCN 1016	2/7/2013	<p>As part of US Digital's continual assurance of supply strategy, we have qualified additional sources for our LED die used in our EM1 encoder module, which in turn impacts all of the following products:</p> <p>EM1, E2, E3, E5, E6, H1, H15, H3, H5, H6, HB5M, HB6M, HD25, PE, S1, S2, S5, S6, T5 and T6</p> <p>The device specification will remain the same, i.e. there will be no change to form, fit or function of the product(s) as specified by US Digital. The appropriate quality and reliability testing has been performed on representative products to ensure normal parametric distribution, consistent with US Digital's quality and reliability standards.</p>	<p>Download</p> <p>(https://www.usdigital.com/support/resources/product-change-notifications/pcn-1016-em1-led-die/)</p>
EM1 & EM2 Update - PCN 4199	1/14/2014	<p>Based on our continuous process improvement program, US Digital is changing the current marking method for our EM1 and EM2 encoder modules to a serialization method. This change will allow for each module to have a unique code; the current marking method is based on a date code system that includes all encoder modules produced within a specific week / year. The serialization system will be based on a hexadecimal system.</p>	<p>Download</p> <p>(https://www.usdigital.com/support/resources/product-change-notifications/pcn-4199-em1-em2-update/)</p>

Notes

- Cables and connectors are not included and must be ordered separately.
- US Digital® warrants its products against defects in materials and workmanship for two years. See complete warranty (<https://www.usdigital.com/company/warranty>) for details.