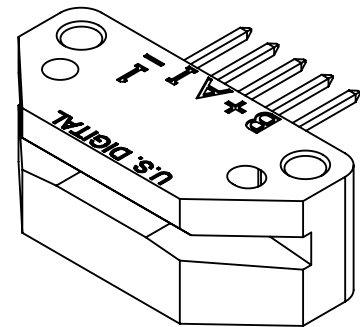


EM2 Transmissive Optical Encoder Module



RELEASE DATE: 10/17/2013

