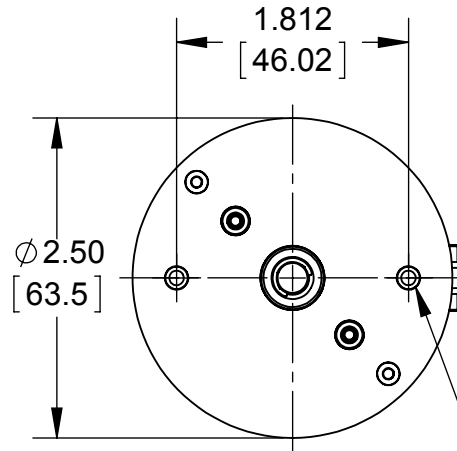
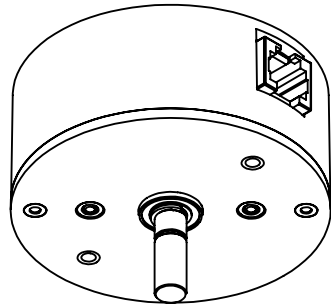
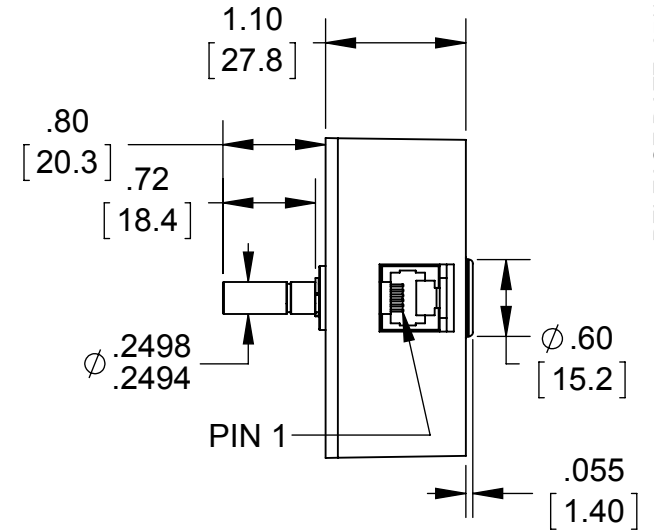


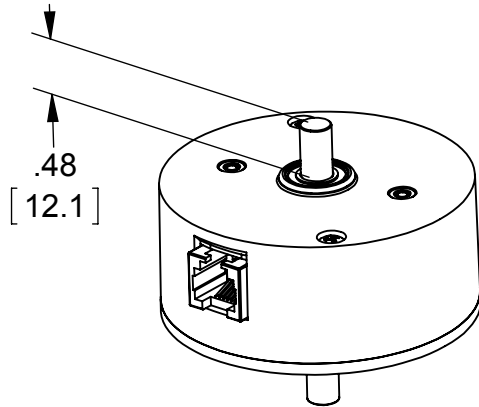
A2 Absolute Optical Shaft Encoder Ball Bearing Version



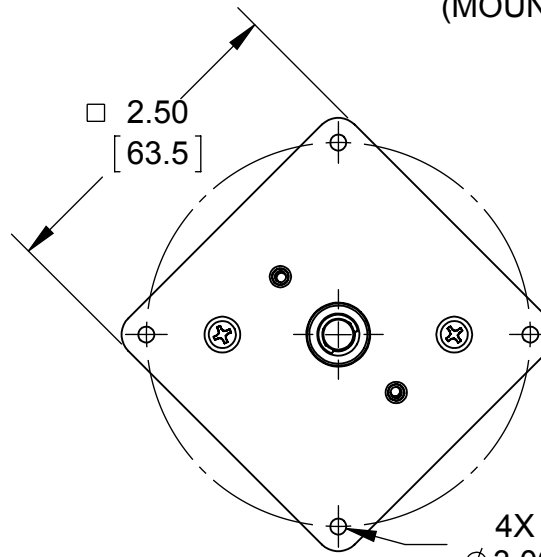
2X #4-40 MOUNTING HOLES
.220 [5.59] MAX SCREW INSERTION



E-OPTION COVER
(REAR SHAFT EXTENSION)



M-OPTION BASE
(MOUNTING PLATE)



4X ϕ .125 [3.18] THRU
 ϕ 3.00 [76.2] BOLT CIRCLE

