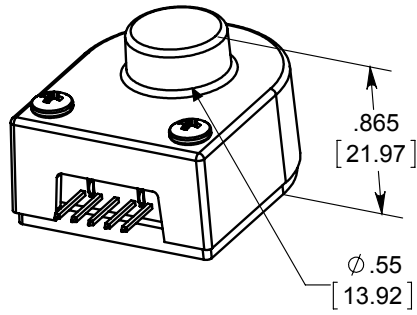
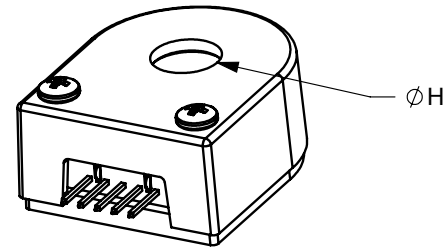


E2 Optical Kit Encoder Base & Cover Options

E-OPTION COVER
(EXTENSION FOR LONGER SHAFT LENGTHS)

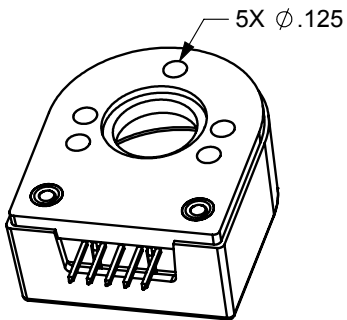


H-OPTION COVER
(COVER HOLE FOR EXTENDED SHAFT LENGTHS)

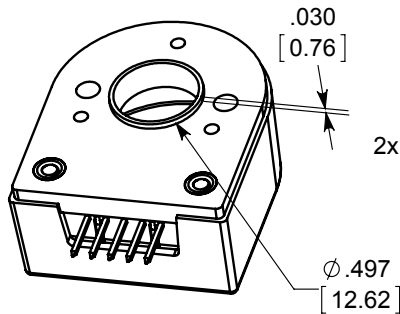


H = .375" [9.53] FOR BORE SIZES LESS THAN .375"
H = .500" [12.70] FOR BORE SIZES GREATER THAN OR EQUAL TO .375"

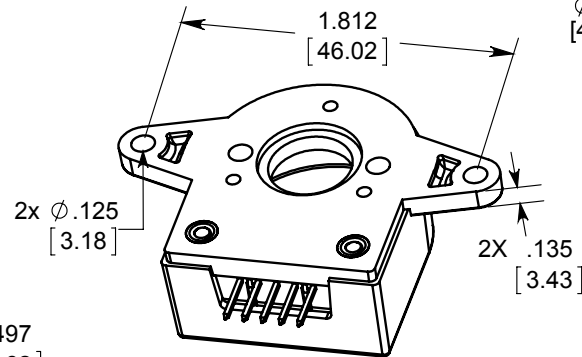
3-OPTION BASE
(LARGER MOUNTING HOLES)



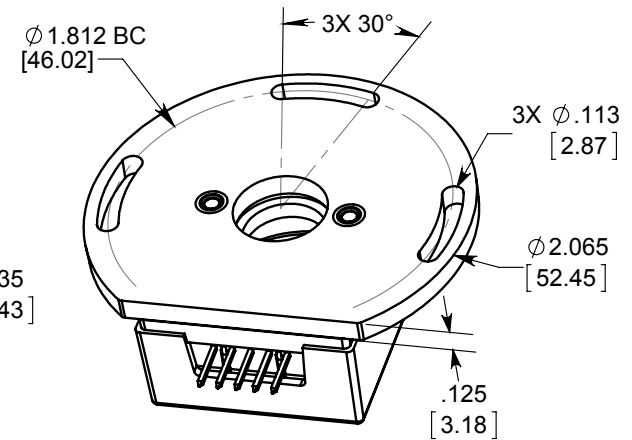
A-OPTION BASE
(ALIGNMENT BOSS)



G-OPTION BASE
(1.812" MOUNTING)



R-OPTION BASE
(ROTATIONAL MOUNTING)



*REQUIRES ADDITIONAL .125" SHAFT LENGTH