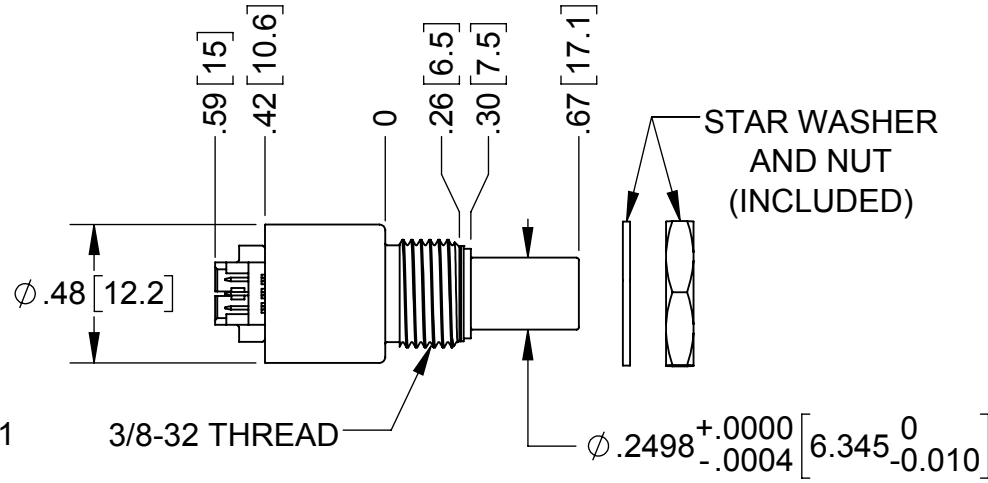


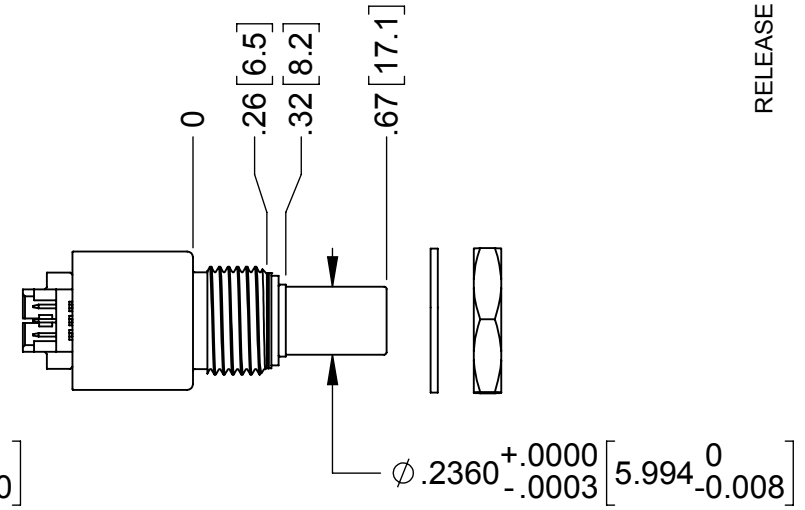
MA3 Miniature Absolute Magnetic Shaft Encoder

RELEASE DATE: 7/11/2017

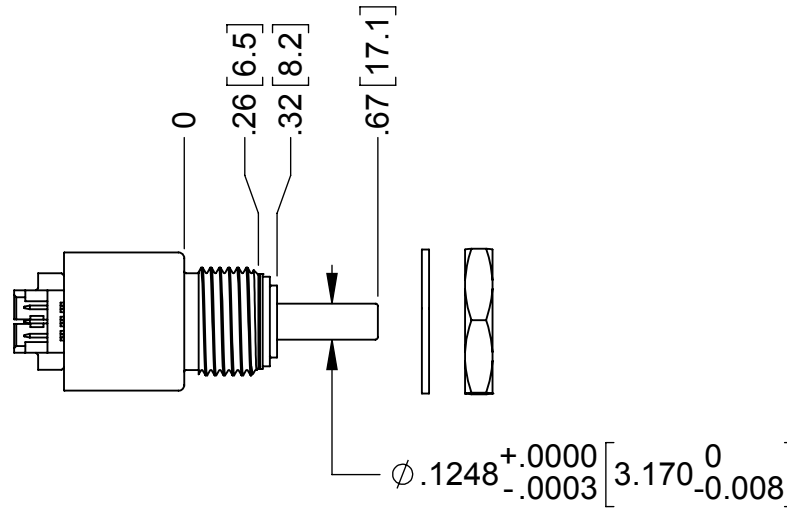
BUSHING - 1/4" SHAFT



BUSHING - 6MM SHAFT



BUSHING - 1/8" SHAFT



BALL BEARING - 1/8" SHAFT

