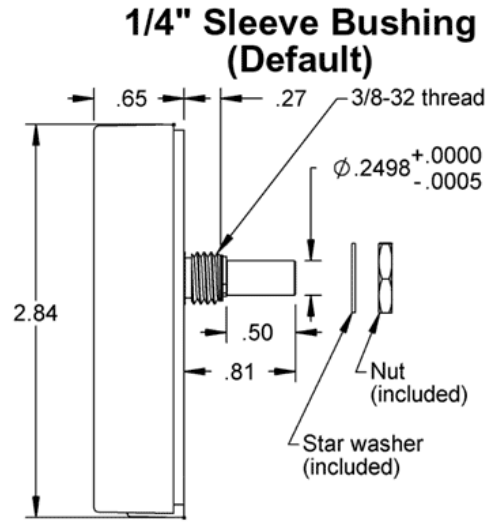
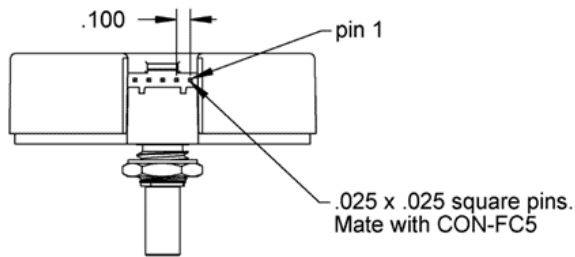
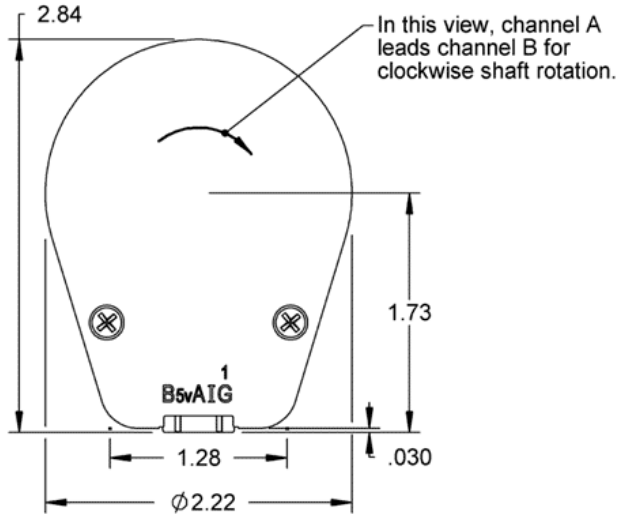
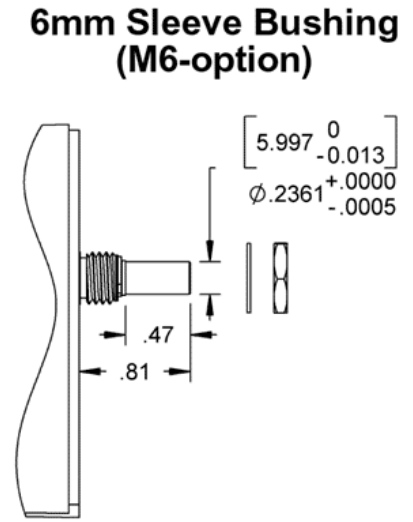
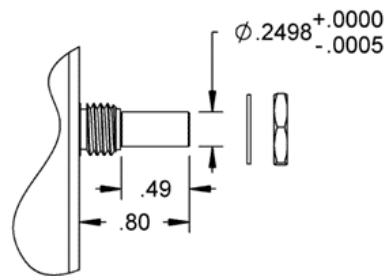


 **S6 Optical Shaft Encoder Drawing**



1/4" Ball Bearing (B-option)



6mm Ball Bearing (BM6-option)

