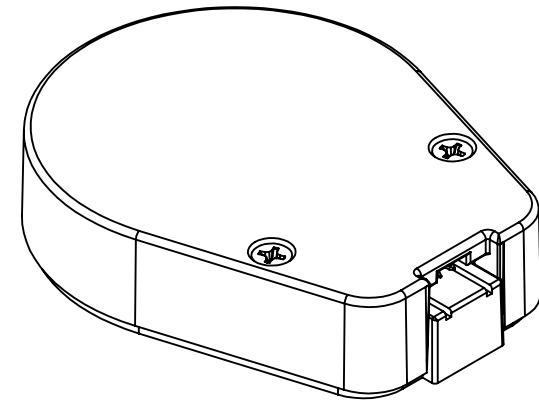
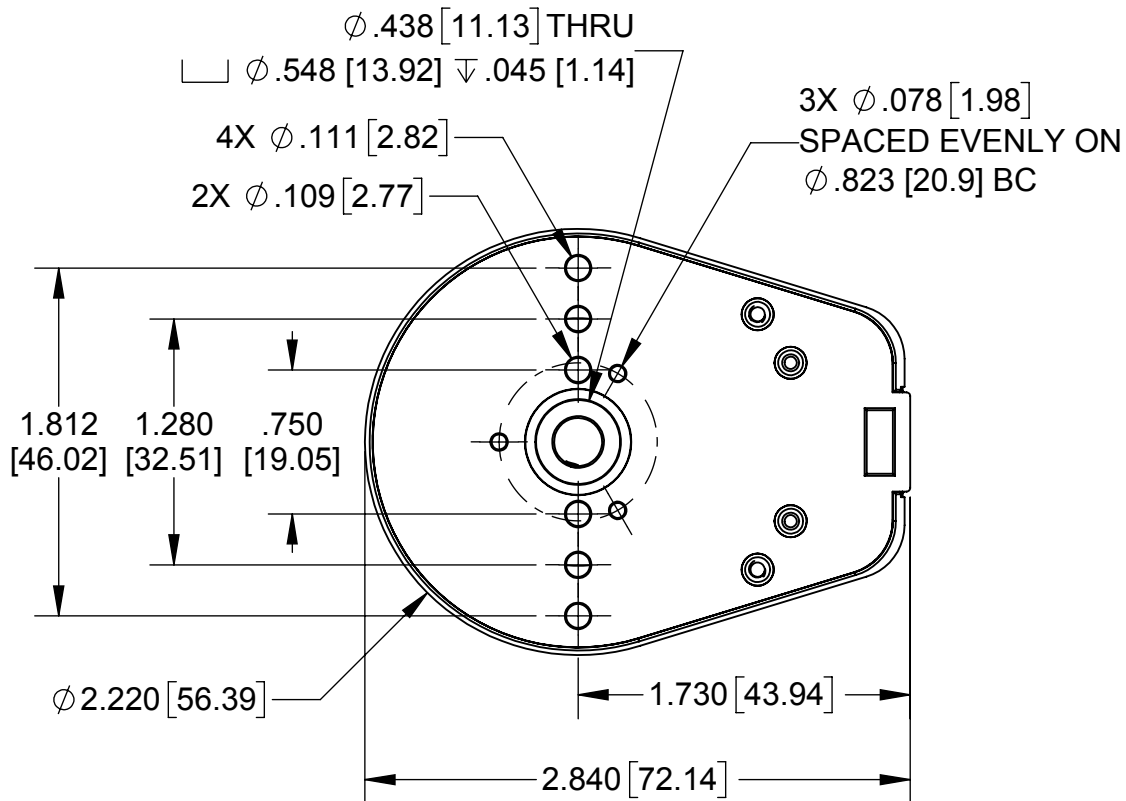
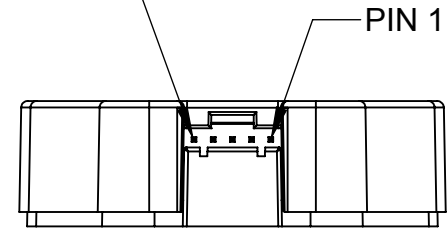
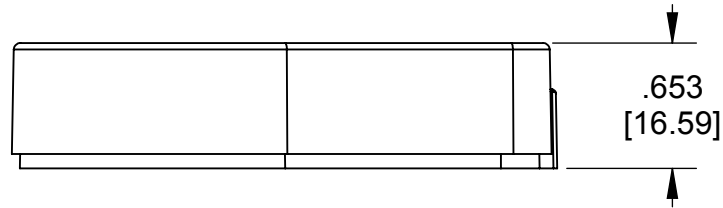


E6 Single-Ended Optical Kit Encoder (Default)

.025 SQUARE PINS
MATES TO CON-FC5



RELEASE DATE: 7/8/2019