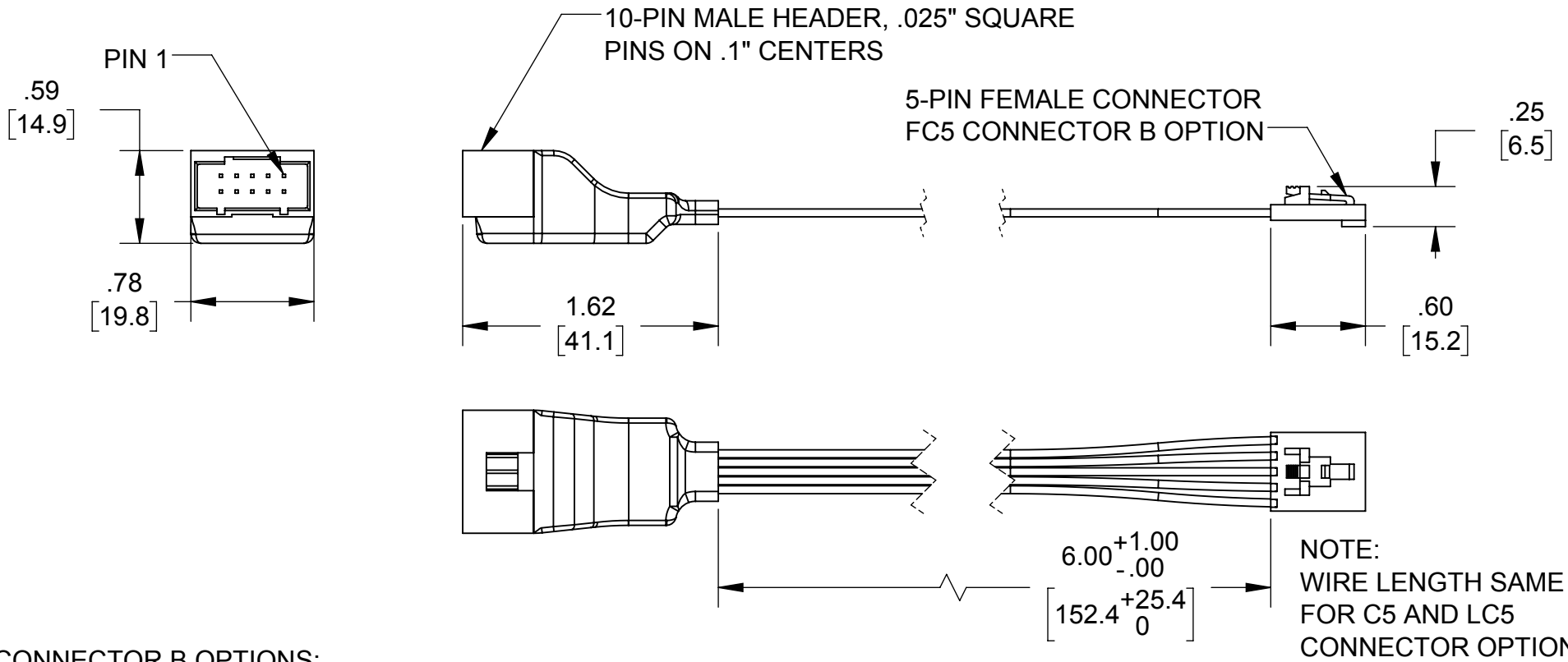


# EA INCREMENTAL ENCODER ADAPTER, RECEIVER, LOW VOLTAGE, FH10

RELEASE DATE: 02/27/2019



## CONNECTOR B OPTIONS:

