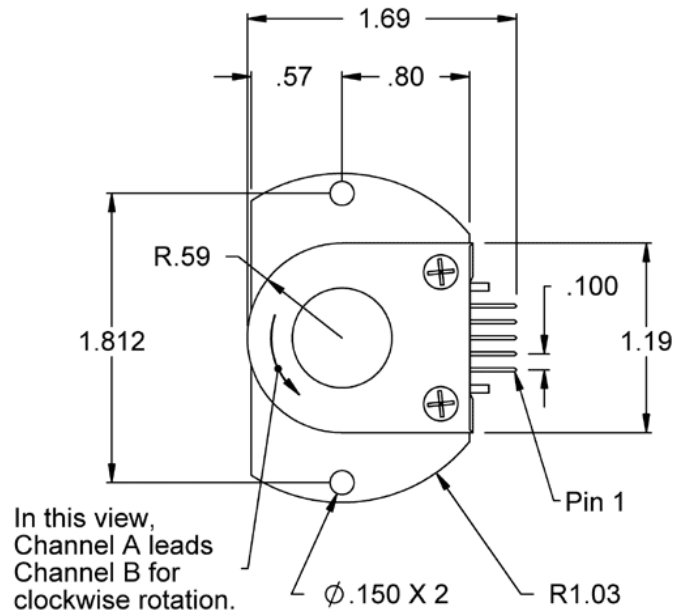




# H1 Ball Bearing Optical Shaft Encoder Drawing



> Module pins are 0.06" shorter for resolutions:  
 32-I, 720-I, 900-I, 1000-I, 1024-I and 1250-I

