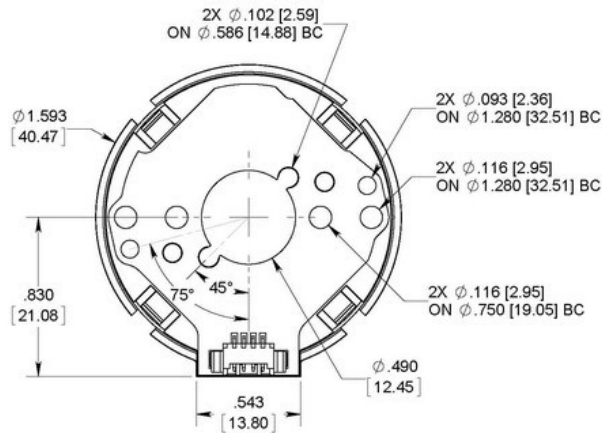
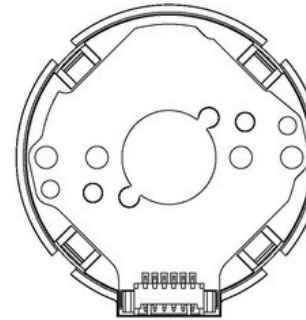


 **E7P OEM Optical Kit Encoder Drawing**

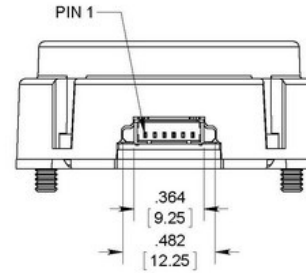
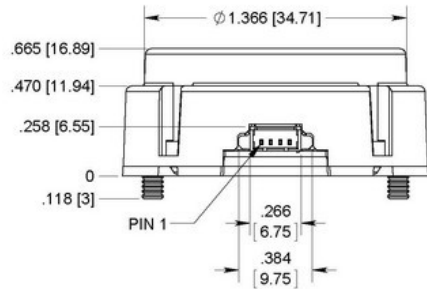
**E7P OEM Optical Kit Encoder**



**SINGLE-ENDED BASE AND COVER  
(DEFAULT OPTIONS SHOWN)**



**DIFFERENTIAL BASE AND COVER  
(DEFAULT OPTIONS SHOWN)**



**US DIGITAL** 1400 NE 136th Avenue  
Vancouver, Washington 98684, USA

info@usdigital.com  
www.usdigital.com

Local: 360.260.2468  
Toll-free: 800.736.0194

UNITS: INCHES [MM]  
METRIC DIMENSIONS FOR REFERENCE ONLY

RELEASE DATE 9/12/2011