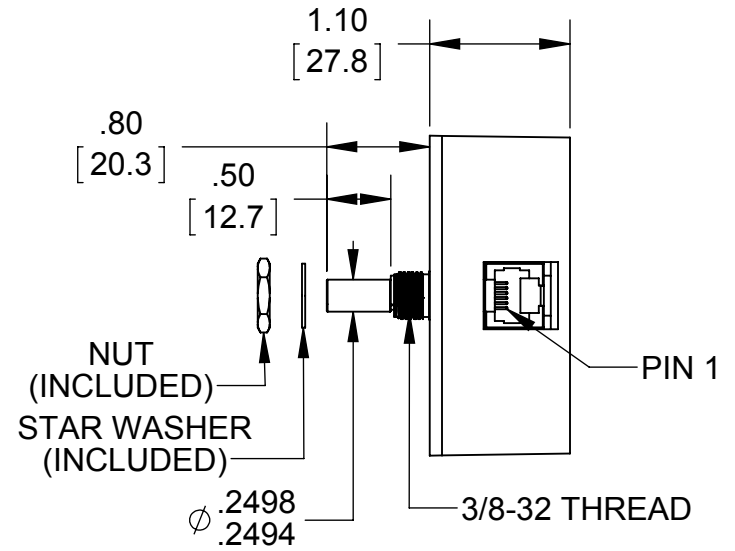
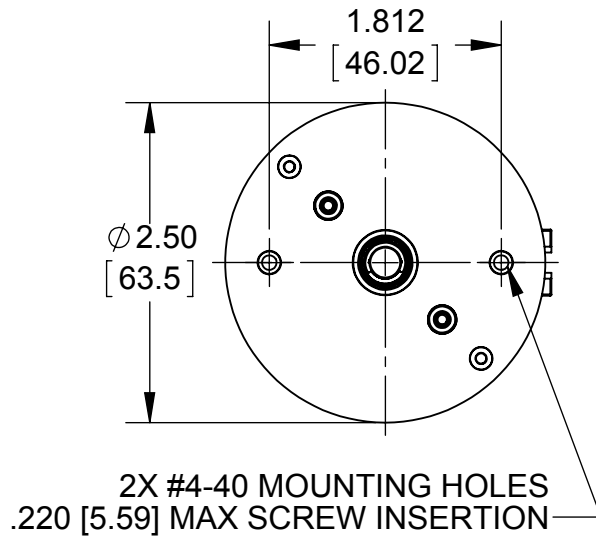
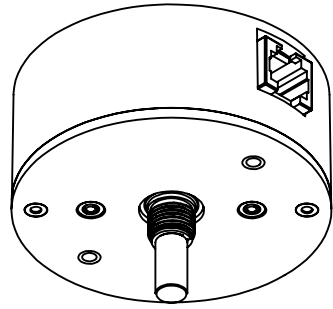


A2 Absolute Optical Shaft Encoder Bushing Version



M-OPTION BASE (MOUNTING PLATE)

