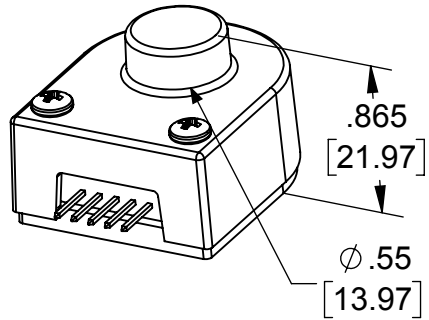
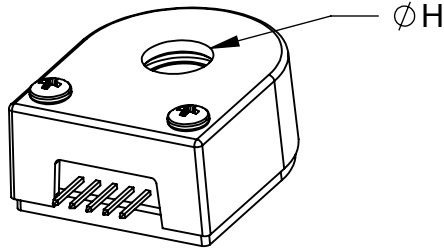


E2 Optical Kit Encoder (Base and Cover Options)

E-OPTION COVER
(EXTENSION FOR SHAFT LENGTHS UP TO .805 [20.45])

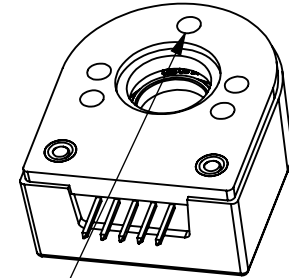


H-OPTION COVER
(HOLE FOR SHAFT LENGTHS OVER .805 [20.45])



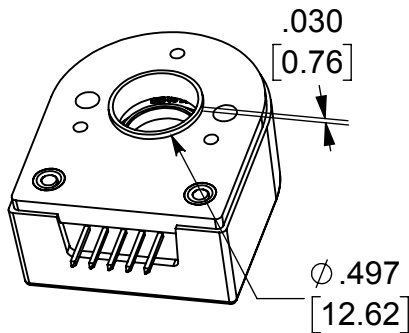
H = .375 [9.53] FOR SHAFT SIZES ≤ Ø.315 [8]
H = .500 [12.70] FOR BORE SIZES > Ø.315 [8]

3-OPTION BASE
(LARGER MOUNTING HOLES)

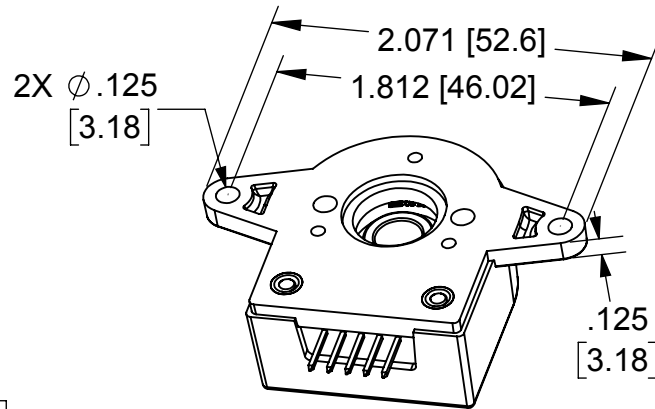


5X Ø.125 [3.18]
SPACED EVENLY ON
Ø.823 [20.9] BC

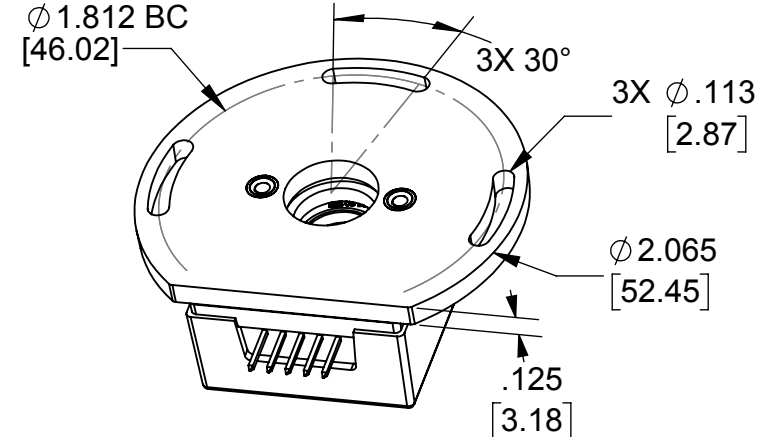
A-OPTION BASE
(ALIGNMENT BOSS)



G-OPTION BASE
(1.812 MOUNTING)



R-OPTION BASE
(ROTATIONAL MOUNTING)



REQUIRES ADDITIONAL .125 [3.18] SHAFT LENGTH