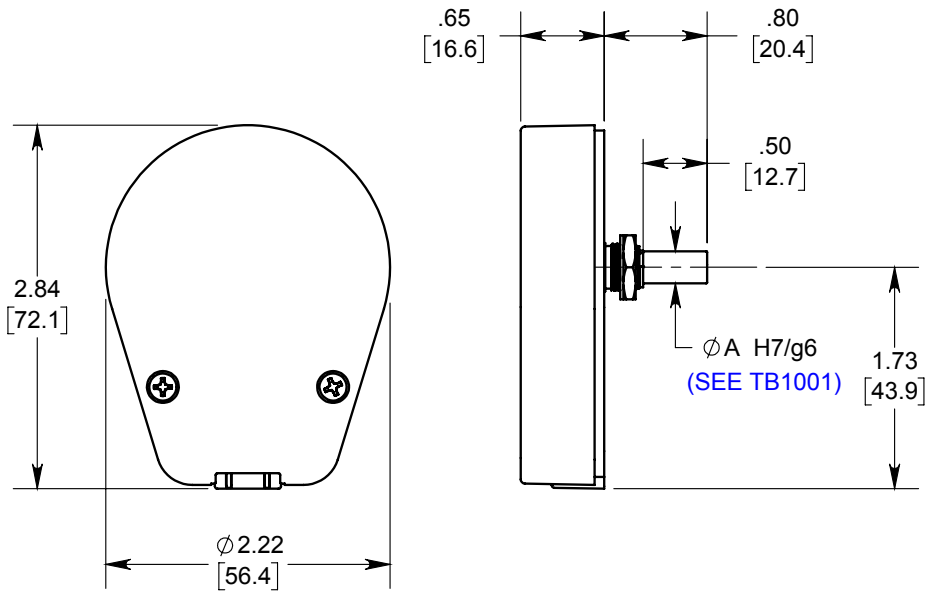


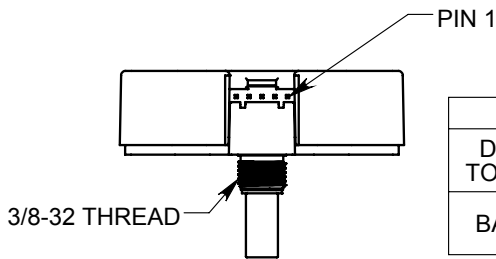
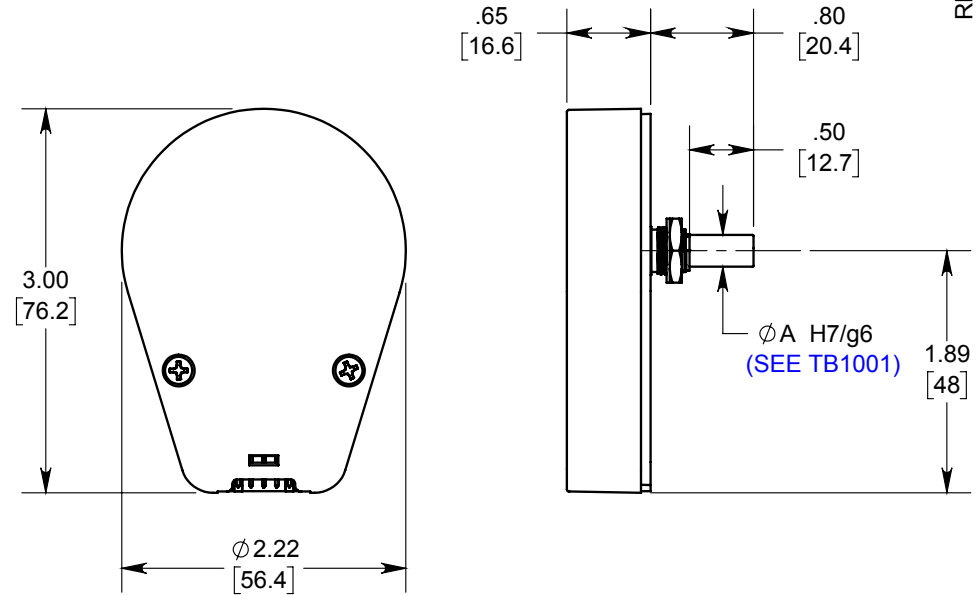
# S6 Optical Shaft Encoder

RELEASE DATE: 03/19/2018

**SINGLE-ENDED OUTPUT VERSION  
(5 PIN)**

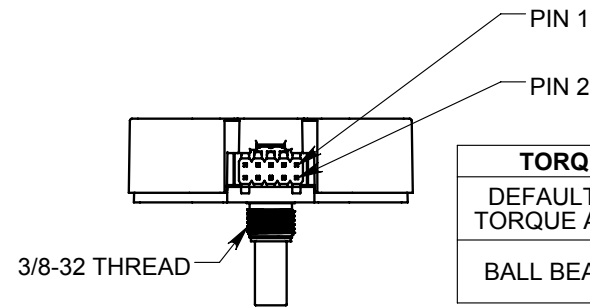


**DIFFERENTIAL OUTPUT VERSION  
(10 PIN)**



TORQUE	SHAFT $\phi$	A
DEFAULT / NO TORQUE ADDED	6mm (.236)	.2362 [6]
	1/4" (.250)	.2500 [6.35]
BALL BEARING	6mm (.236)	.2362 [6]
	1/4" (.250)	.2500 [6.35]

STAR WASHER AND NUT (INCLUDED)



TORQUE	SHAFT $\phi$	A
DEFAULT / NO TORQUE ADDED	6mm (.236)	.2362 [6]
	1/4" (.250)	.2500 [6.35]
BALL BEARING	6mm (.236)	.2362 [6]
	1/4" (.250)	.2500 [6.35]

STAR WASHER AND NUT (INCLUDED)