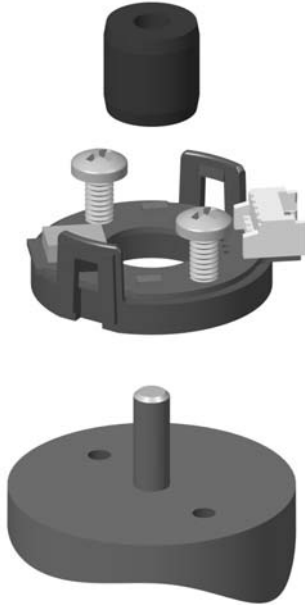


1. Base Mounting

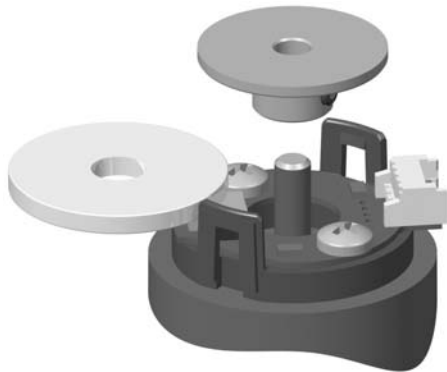
Place base onto shaft. Secure base to mounting surface using two screws.

Transfer Adhesive: Peel off paper backing, place centering tool into center hole of base, slip centering tool onto shaft and slide base and centering tool down onto mounting surface as one piece. Press to form a good bond, then slip centering tool off shaft and continue with standard mounting instructions.



2. Spacer Installation

Place spacer tool on optic module as shown below.



3. Hub Disk Assembly Installation

Slip hub disk assembly onto shaft until it bottoms out against spacer tool. Spacer tool provides an air gap of 0.07" ±0.03". Tighten set screw with either the hex wrench / hex driver while pressing down on hub disk assembly.



4. Cover Installation

Place housing (cover) on. With thumb and finger, squeeze ears together to insure that cover fully latches.

