

E5 Assembly Instructions

Step 1:

Place encoder base onto mounting surface. Slip centering tool over the shaft and into the center hole of the base. While holding pressure on the centering tool, tighten mounting screws. Remove centering tool.

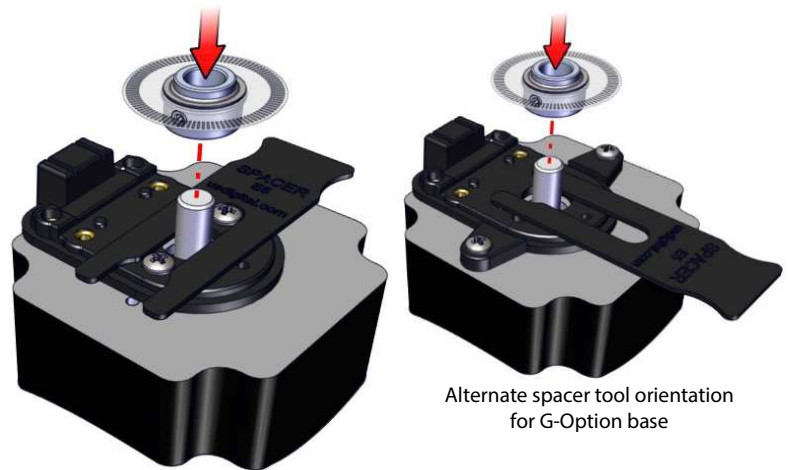
Transfer Adhesive: Contact US Digital technical support for mounting assistance.



Step 2:

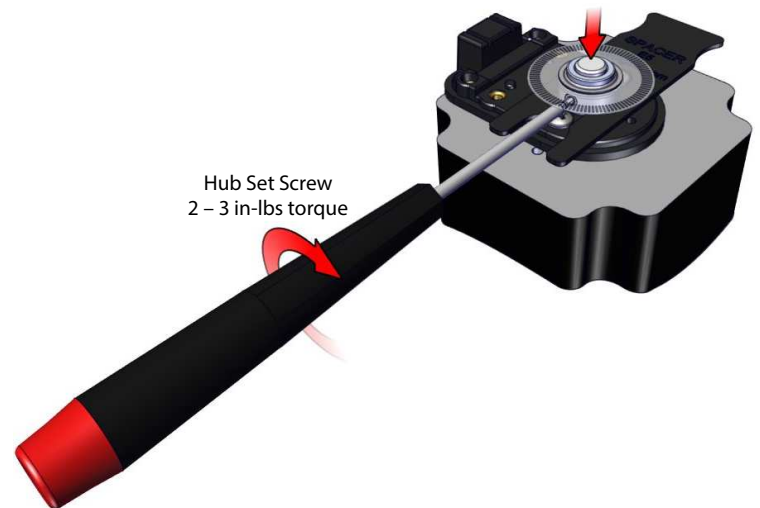
Place spacer tool around shaft. Slip hubdisk assembly onto shaft and slide down until it bottoms out against spacer tool.

Note: Alternate spacer orientations may be required depending on base/mounting configuration.



Step 3:

Tighten set screw with provided hex wrench while pressing down on hub. Remove spacer tool.



support@usdigital.com ▪ www.usdigital.com

Local: 360.260.2468 ▪ Sales: 800.736.0194

Support: 360.397.9999 ▪ Fax: 360.260.2469

1400 NE 136th Ave. ▪ Vancouver, Washington ▪ 98684 ▪ USA

9.0
Page 1

E5 Assembly Instructions

Step 4:

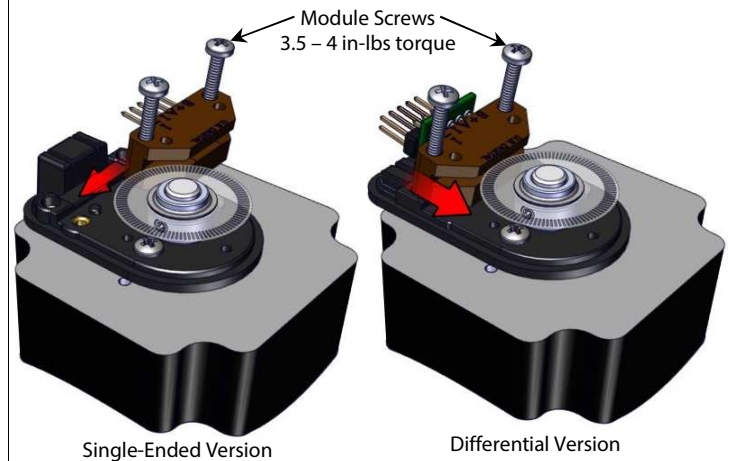
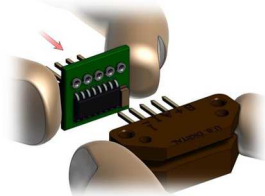
Slip optical module into position until the two alignment pins slip into holes of module (thick side of module towards bottom). Secure with two 4-40 x 1/2" screws (supplied).

Differential version only:

Press line driver onto module pins until it reaches the end of its motion.

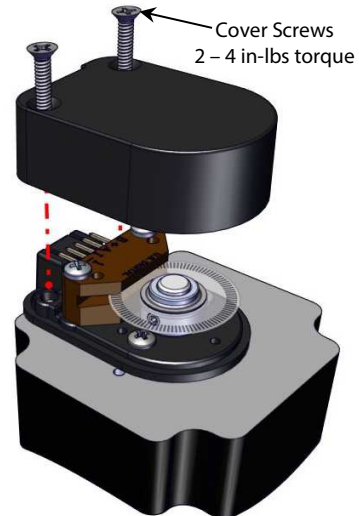
Caution!

To avoid injury make sure that the line driver is held properly (as shown) during installation, module pins are sharp!



Step 5:

Place cover over assembly and secure with two 4-40 x 5/8" flat head screws (supplied).



support@usdigital.com ▪ www.usdigital.com

Local: 360.260.2468 ▪ Sales: 800.736.0194

Support: 360.397.9999 ▪ Fax: 360.260.2469

1400 NE 136th Ave. ▪ Vancouver, Washington ▪ 98684 ▪ USA

9.0
Page 2